

Experience the difference Culligan can make.



Culligan Gold Series™ Water Softener

Your System for Life!

Local Water Expertise

Trusted Leader for Over
70 Years

Certified Sales, Installation and
Service Professionals

100% Satisfaction Guarantee*

Full Service (salt delivery, filter
changes and more)

Affordable Water Solutions for
Home and Business

Complimentary In-Home
Water Analysis




Culligan.

better water. pure and simple.™


The Benefits of a Culligan Soft Water Home

Dissolved minerals in the hard water that enters your house form a scale that makes water heaters and other water-using appliances work harder than necessary. A Culligan Gold Series™ Water Softener conditions the water as soon as it enters your home and delivers soft Culligan water throughout the entire house. Ask your Culligan Man® to inspect your appliances for any hard water buildup or damage.



Bathrooms:

- Save time and money with less cleaning
- Prevent rust stains and dirty fixtures




Cleaner Everything:

- Brighter, whiter and softer bed linens and clothing



Culligan® Water Softener System

- Reduce damaging scale buildup in your water heater, humidifier and the plumbing throughout your entire house.




Laundry Room:

- Whiter, brighter clothes
- Reduce rust stains



Kitchen:

- Spot-free dishes, flatware, glassware, and fixtures.
- 

Culligan.

better water. pure and simple.™

Quality products and services you can count on.

For over 70 years, Culligan® has led the water treatment industry in innovation and service. Culligan® products are produced with world-class quality backed by solid warranties and serviced by factory trained technicians.

Your local, reliable Culligan® dealer will perform a complimentary, no obligation water analysis and help you choose the system that is just right for your home and family. Now that's service!

WHY MILLIONS TRUST CULLIGAN TO DELIVER THE BEST WATER

- ☛ All Culligan® products are backed with a 100% Satisfaction Guarantee*. If you're not completely satisfied within 30 days from the date of purchase, we'll refund your purchase price.
- ☛ Your local Culligan® dealer has a full line of quality water treatment products at affordable prices.
- ☛ All assembly takes place under exacting world-class quality control.
- ☛ Culligan® products possess the industry's most state-of-the-art features because we maintain our own extensive research and development facility and no other water treatment company holds as many patents.
- ☛ With over 800 dealers worldwide and more than 90 countries globally, a Culligan® dealer is just around the corner to make sure you receive the Culligan® water you've come to enjoy.
- ☛ Your local Culligan® dealer offers salt delivery, filter changes, financing and more, making Culligan® a full-service water treatment company.

Solutions For Your Home and More

If you have questions or need assistance, your Culligan Man® is a phone call away and ready to help. Call today and let one of our trained water technicians test your water. Feel good and live better with Culligan.

*Culligan will provide a copy of warranties upon request.



Exclusive Culligan Gold Series™ Design and Technology

1 Save Salt and Water

The Culligan Soft-Minder® meter options monitors use and activates regeneration only when needed, and water.

2 Bypass the System

The patented, 1" Cul-Flo-Valv® lets you bypass the uses not requiring softened water – such as watering – without losing pressure.

3 Reliable Operation

Exclusive, non-corrosive 5-cycle control valve directs water flow during and regeneration cycles.

4 Maximum Efficiency

Cullex® resin provides maximum water softening capacity, stability, long life and is backed by a limited lifetime warranty.*

5 Efficient Operation

High grade quartz underbedding evenly distributes water maximize flow rates.

6 Fingertip Programming

The low voltage, fully programmable Accusoft® microprocessor offers easy data entry performance options that can be set at the touch of a button, to meet individual needs. All programming is safe from most power interruptions and surges.

7 Soft Water for Everyone

Guest Cycle™ recharge feature provides an extra supply of conditioned water when there are more people than normal in the home at the touch of a button.

8 Culligan Exclusive Quadra-Hull® Tank with Limited Lifetime Warranty

Designed to provide the highest durability in the industry, our exclusive Quadra-Hull® Tank has four layers of construction to ensure maximum dependability.

Layer 1- The media tank liner is designed to provide high-impact resistance and meets strict industry requirements for health and structural integrity.

Layer 2- A composite shell using more composite material than any other standard tank on the market today.

Layer 3- A revolutionary, lightweight carbon material exceeds the strength of existing metal materials.

Layer 4- Impervious to rust, won't corrode, UV resistant and keeps the tank from "sweating".

9 Longer Life

A Dubl-Safe® brine refill control provides assured shut-off and corrosion-proof components for longer life.

10 System Protection

A non-corrosive brine plate assists in dissolving salt and protects the system from salt impurities.



*The QuadraHull tank and Cullex Resin are backed by the Culligan Limited Lifetime Warranty. The terms of product warranties vary and may be modified from time to time. Culligan will provide a copy of same upon request.

**When compared to Culligan Medalist Series 1" softener with SoftMinder meter.



Outdoor Culligan Gold Series Softener

The Outdoor Culligan Gold Series™ Softener is certified* for outdoor installations. Wind, rain, even annoying garden-variety "wildlife" won't stop you from all the benefits of soft water.

- 1" Control Valve*
- Aqua-Sensor® or Soft-Minder® Meter Options available.
- Comes in a variety of volume capacities
- Cul-Flo-Valv® Bypass Valve
- Dubl-Safe® Brine Refill Control
- Accusoft® Plus Microprocessor

* Certified by Underwriters Lab for outdoor installation.



The Ultimate in Water, and Salt Savings

Saves over 2 1/2 tons of salt and over 20,000 gallons of water within a 10-year period!**

The patented Culligan Aqua-Sensor® regeneration system option electronically monitors hardness removal to activate regeneration only when necessary, conserving water, salt, electricity, and saving you money.

Soft Water Means Better Living.

A solution to your hard water blues

From spending too much on laundry detergents and softening agents to constantly battling dry skin and dull, lifeless hair, you need the ultimate solution to your hard water problems: The Culligan Gold Series™ Water Softener.

Culligan Water makes you feel good

Personal Care: Enjoy silky, shiny hair and cleaner, smoother skin. Baths and showers in soft water are a pleasure—the water actually feels better on your skin, and soap rinses right off, leaving you cleaner.

Softer Laundry: No more uncomfortable clothing. Laundry detergent residue rinses clean from your clothes, leaving them soft and supple against your skin. Towels are fluffier and absorb better; sheets and bedding feel soft and smooth.

Culligan Water makes life easier

Easier Cleaning: Bathtubs, chrome fixtures, shower stalls and glass doors—everything cleans easier and stays clean longer because soft water doesn't leave that dull soap film.

Brighter Wash: Laundry soaps work better in soft water to get clothes their brightest. Whites and colors will be more vibrant and come out cleaner because soft water leaves virtually no soap residue in the fabric.

Sparkling Dishes: Washed by hand or in a dishwasher, your glassware comes out spot-free, and your dishes, flatware, pots and pans come out squeaky clean and shiny new.

Save Money: The Culligan Gold Series™

Softener saves you money. You'll spend less on soaps, detergents, lotions, electricity, and gas for your water heater and dramatically extend the life of your water using appliances!



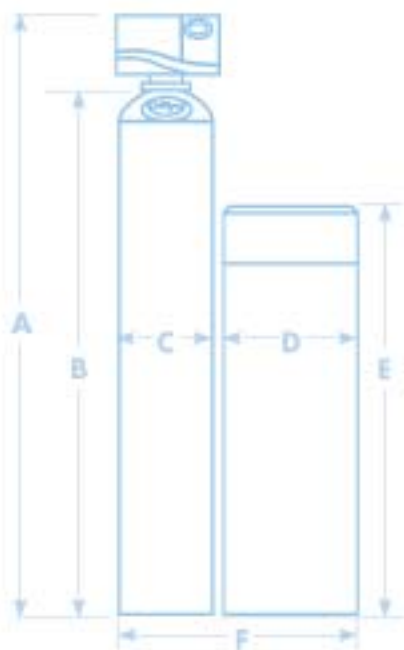
Discover all the benefits of a cleaner, softer, healthier, easier way of living with the Culligan Gold Series™ Water Softener.

† The contaminants or other substances removed or reduced by this water treatment device are not necessarily in your water.

Culligan Gold Series™ Water Softeners

When you buy or rent a Culligan Gold Series water softener, you are getting more than just a water softener.

The Culligan Gold Series Water Softeners complies with industry specifications, is efficiency rated, and will minimize the amount of regenerant brine and water used in operation.



Superior Performance

- Low voltage (24-volt) operation
- Demand Regeneration: saves water, salt and electricity
- Quadra-Hull™ tank, best in the industry
- Fingertip operation
- Cul-Flo-Valv® bypass to conserve soft water
- Proven piston operation for years of reliable service

Superior Service

- Culligan Man Service has been around for 70 years
- More than 10,000,000 homes and businesses around the world have taken advantage of Culligan Water Treatment
- Local professional application and service
- Water treatment is our only business.

Easy to do business with us

- Flexible finance programs
- Convenient salt delivery service available
- Full-line of water treatment products to match virtually any application and budget

Culligan Gold Series™ Water Softeners

Product Specifications

Model	A	B	C	D	E	F
Culligan Gold Series 9 in.	56 in.	48 in.	9 in.	16 in. with 250 lb. capacity brine tank or 18 in. with 375 lb. capacity brine tank	43 in.	34 in.
Culligan Gold Series 10 in.	62 in.	54 in.	10 in.	18 in. with 375 lb. capacity brine tank	43 in.	35 in.
Culligan Gold Series 12 in.	60 in.	52 in.	12 in.	18 in. with 375 lb. capacity brine tank	43 in.	37 in.
Culligan Gold Series 14 in.	73 in.	65 in.	14 in.	24 in. with 600 lb. capacity brine tank	42 in.	45 in.

Culligan.

better water. pure and simple.™

www.culligan.com
1-800-CULLIGAN

© 2009 Culligan International Company
Moore Wallace Part No. 46988
Printed 06/09



Culligan Gold Series™
Water Softener



Printed on
recycled paper



For details
visit culligan.com

Products manufactured and marketed by Culligan International Company (Culligan) and its affiliates are protected by patents issued or pending in the United States and other countries. Culligan reserves the right to change the specifications referred to in this literature at any time, without prior notice.

Culligan, Quadra-Hull, Dura-Safe, Aqua-Sensor, Accusoft, Guard Cycle, Cul-Flo-Valve, Soft-Minder, Culex, Medalist Series, Culligan Gold Series, Culligan Platinum Series and better water. pure and simple.™ are trademarks of Culligan International Company.

The Good Housekeeping Seal applies to drinking water systems, softeners and whole-house filters. Warranties available separately. See written warranties for applicable terms and conditions.

* Offer valid on residential use products only. Consumer must notify their Culligan dealer no later than 30 days after purchase. Offer good at participating dealer locations only.



Specifications

Culligan Gold Series™ Water Conditioners with Aqua-Sensor® Device or Soft-Minder® Meter

	9" Model	10" Model	12" Model	14" Model
Control Valve	1" 5-cycle Reinforced Thermoplastic	1" 5-cycle Reinforced Thermoplastic	1" 5-cycle Reinforced Thermoplastic	1" 5-cycle Reinforced Thermoplastic
Overall Conditioner Height	54 in	60 in	58 in	71 in
Media Tank Design	Quadra-Hull	Quadra-Hull	Quadra-Hull	Quadra-Hull
Media Tank Dimensions (Dia x Ht)	9 x 48 in	10 x 54 in	12 x 52 in	14 x 65 in
Salt Storage Tank Dimensions (Dia x Ht)	16 x 43 in	18 x 43 in	18 x 43 in	24 x 42 in
Exchange Media, Type and Quantity	Cullex® Media, 1.0 ft³	Cullex Media, 1.5 ft³	Cullex Media, 2.0 ft³	Cullex Media, 3.0 ft³
Underbedding, Type and Quantity	Cullsan® Underbedding, 12 lb	Cullsan Underbedding, 15 lb	Cullsan Underbedding, 16 lb	Cullsan Underbedding, 25 lb
Exchange Capacity @ Salt Dosage Per Recharge	19,086 gr @ 4.0 lb	28,629 gr @ 6.0 lb	35,614 gr @ 8.0 lb	53,540 gr @ 12.0 lb
	26,301 gr @ 8.0 lb	39,451 gr @ 12.0 lb	51,659 gr @ 16.0 lb	77,660 gr @ 24.0 lb
	30,787 gr @ 12.0 lb	46,180 gr @ 18.0 lb	60,532 gr @ 24.0 lb	90,986 gr @ 36.0 lb
Efficiency at rated salt dosage ^{1, 6}	4,770 gr/lb @ 4 lb salt dosage	4,770 gr/lb @ 6 lb salt dosage	4,450 gr/lb @ 7 lb salt dosage	4,460 gr/lb @ 12 lb salt dosage
Freeboard to Media ²	14.5 in	14.5 in	20 in	25 in
Freeboard to Underbedding ³	44.5 in	47.5 in	46 in	59 in
Salt Storage Capacity	250 lb or 375 lb	375 lb	375 lb	600 lb
Rated Service Flow @ Pressure Drop	9.0 gpm @ 14 psi	9.4 gpm @ 15 psi	10.0 gpm @ 15 psi	10.6 gpm @ 15 psi
Total Hardness, Maximum	75 gpg	99 gpg	99 gpg	99 gpg
Total Iron, Maximum	5 ppm	5 ppm	5 ppm	5 ppm
Hardness to Iron Ratio, Min.	8 gpg to 1 ppm	8 gpg to 1 ppm	8 gpg to 1 ppm	8 gpg to 1 ppm
Operating Pressure	20-125 psi	20-125 psi	20-125 psi	20-125 psi
Operating Pressure (Canada)	20-90 psi	20-90 psi	20-90 psi	20-90 psi
Operating Temperature	33-120°F	33-120°F	33-120°F	33-120°F
Electrical Requirements	24V/60 Hz	24V/60 Hz	24V/60 Hz	24V/60 Hz
Electrical Power Consumption, Min/Max	3 Watts/ 35 Watts	3 Watts/ 35 Watts	3 Watts/ 35 Watts	3 Watts/ 35 Watts
Drain Flow, Maximum ⁴	1.6 gpm	1.6 gpm	2.6 gpm	6.6 gpm
Recharge Time, Average ⁵	68 min	57 min	52 min	66 min
Recharge Water Consumption, Average ⁵	35 gal	46 gal	51 gal	176 gal

1 The efficiency rated dosage is only valid at the 4 lb. salt dosage for the 9" model, 6 lb. salt dosage for the 10" model, 7 lb. salt dosage for 12" model and 12 lb. salt dosage for 14" model and is efficiency rated according to NSF/ANSI Standard 44.

2 Measured from top of media to top surface of tank threads (backwashed and drained).

3 Measured from top of underbedding to top of inlet fitting.

4 Backwash at 120 psi (830 kPa).

5 10 minute backwash, 4 lb. (1.8 kg) 9" model, 6 lb. (2.7 kg) 10" model, 7 lb. 12" model or 12 lb. 14" model salt dosage at 30 psi (204 kPa).



Culligan Limited Warranty

Culligan Gold Series™ Automatic Water Conditioners

You have just purchased one of the finest water conditioners made. As an expression of our confidence in Culligan International Company products, your water conditioner is warranted to the original end-user, when installed in accordance with Culligan specifications, against defects in material and workmanship from the date of original installation, as follows:

For a period of ONE YEAR	The entire conditioner
For a period of FIVE YEARS	Soft-Minder® meter, or Aqua-Sensor® probe if so equipped.
For a period of TEN YEARS	The AccuSoft® Plus circuit board, The control valve body, excluding internal parts. The salt storage container, brine valve and all its component parts
For the LIFETIME of the original consumer purchaser	The Quadra-Hull™ conditioner tank and the Cullex® resin

If a part described above is found defective within the specified period, you should notify your independently operated Culligan dealer and arrange a time during normal business hours for the dealer to inspect the water conditioner on your premises. Any part found defective within the terms of this warranty will be repaired or replaced by the dealer. You pay only freight from our factory and local dealer charges.

We are not responsible for damage caused by accident, fire, flood, freezing, Act of God, misuse, misapplication, neglect, oxidizing agents (such as chlorine, ozone, chloramines and other related components), alteration, installation or operation contrary to our printed instructions, or by the use of accessories or components which do not meet Culligan specifications, is not covered by this warranty. Refer to the specifications section in the Installation and Operating manual for application parameters.

Our product performance specifications are furnished with each water conditioning unit. TO THE EXTENT PERMITTED BY LAW, CULLIGAN DISCLAIMS ALL IMPLIED WARRANTIES, INCLUDING WITHOUT LIMITATION WARRANTIES OF MERCHANTABILITY AND FITNESS FOR PARTICULAR PURPOSE; TO THE EXTENT REQUIRED BY LAW, ANY SUCH IMPLIED WARRANTIES ARE LIMITED IN DURATION TO THE ONE-YEAR PERIOD SPECIFIED ABOVE FOR THE ENTIRE CONDITIONER. As a manufacturer, we do not know the characteristics of your water supply or the purpose for which you are purchasing a water conditioner. The quality of water supplies may vary seasonally or over a period of time, and your water usage rate may vary as well. Water characteristics can also differ considerably if your water conditioner is moved to a new location. For these reasons, we assume no liability for the determination of the proper equipment necessary to meet your requirements, and we do not authorize others to assume such obligations for us. Further, we assume no liability and extend no warranties, express or implied, for the use of this product with a non-potable water source. OUR OBLIGATIONS UNDER THIS WARRANTY ARE LIMITED TO THE REPAIR OR REPLACEMENT OF THE FAILED PARTS OF THE WATER CONDITIONER, AND WE ASSUME NO LIABILITY WHATSOEVER FOR DIRECT, INDIRECT, INCIDENTAL, CONSEQUENTIAL, SPECIAL, GENERAL, OR OTHER DAMAGES.

Some states do not allow the exclusion of implied warranties or limitations on how long an implied warranty lasts, so the above limitation may not apply to you. Similarly, some states do not allow the exclusion of incidental or consequential damages, so the above limitation or exclusion may not apply to you. This warranty gives you specific legal rights, and you may also have other rights which vary from state to state. Consult your telephone directory for your local independently operated Culligan dealer, or write Culligan International Company for warranty and service information.

Culligan International Company

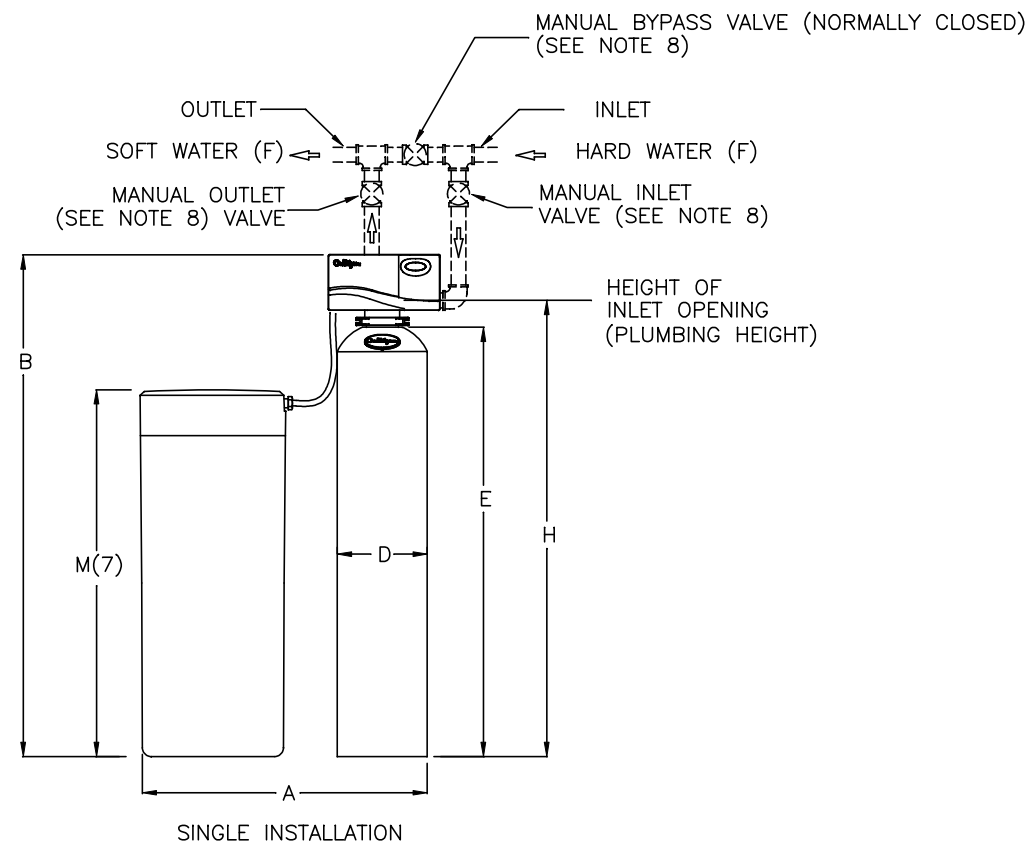
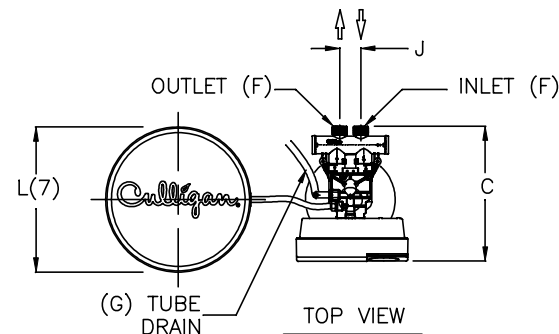
9399 W. Higgins Road, Suite 1100
Rosemont, Illinois 60018

www.culligan.com

NOTES:

- (1) ITEMS SHOWN IN BROKEN LINES TO BE FURNISHED BY OTHERS.
- (2) ALL DIMENSIONS ARE ± 1 INCH (25mm) AND SUBJECT TO CHANGE WITHOUT NOTICE.
- (3) THE USE OF DISSIMILAR METALS IN A PIPING SYSTEM IS NOT RECOMMENDED. WHERE DISSIMILAR METALS MUST BE CONNECTED IN A WATER SYSTEM. THE USE OF NONCONDUCTIVE (DIELECTRIC) FITTINGS MAY REDUCE GALVANIC CORROSION.
- (4) A TEN FOOT POWER CORD (LONGER LENGTHS AVAILABLE) AND WALL MOUNT TRANSFORMER ARE PROVIDED. THE CUSTOMER SHOULD PROVIDE A RECEPTACLE, PREFERABLE ONE NOT CONTROLLED BY A SWITCH THAT CAN BE TURNED OFF ACCIDENTALLY. OBSERVE THE LOCAL ELECTRICAL CODES.
- (5) ALLOW 6-12 INCHES BEHIND THE UNIT FOR PLUMBING AND DRAIN LINES AND 4 FEET ABOVE FOR SERVICE ACCESS AND FILLING THE SALT CONTAINER.
- (6) TO PERMIT THE OBSERVATION OF THE DRAIN FLOW DO NOT MAKE A DIRECT CONNECTION TO THE DRAIN. PROVIDE AN AIR GAP OF AT LEAST TWO TIMES THE DIAMETER OF THE DRAIN PIPE OR CONFORM TO LOCAL SANITATION CODES.
- (7) BRINE TANK DIMENSIONS SHOWN ARE FOR THE BRINE TANK MOST COMMONLY SELECTED FOR USE WITH THIS SIZE SYSTEM
- (8) BYPASS VALVE IS INCLUDED WITH SOFTENER. PLUMBING OF 3-VALVE BYPASS IS OPTIONAL.

MODEL	DIMENSIONS (INCHES)											MAX. CAPACITY KGR @ SALT DOSAGE	RESIN VOLUME ft ³	CONTINUOUS FLOW gpm @ psi drop	DRAIN FLOW gpm	MIN. DRAIN PIPE SIZE IN.	SIMPLEX OPER. WT. lbs.	SIMPLEX SHIP. WT. lbs.
	WIDTH A	HEIGHT B	DEPTH C	TANK DIA. D	SIDE-SHELL E	INLET/OUTLET PIPE SIZES F	DRAIN SIZE G	FLOOR TO INLET H	INLET TO OUTLET J	BRINE TANK DIA. L(7)	BRINE TANK HEIGHT M(7)							
9"	32	55	15	9	48	1.25	0.5	51.0	2.35	16	43	33,300 @ 12	1.0	9 gpm @ 13 psi	1.6	0.5	493	126
9"	34	55	15	9	48	1.25	0.5	51.0	2.35	18	43	33,300 @ 12	1.0	9 gpm @ 13 psi	1.6	0.5	615	126
10"	35	61	15	10	54	1.25	0.5	57.0	2.35	18	43	46,800 @ 18	1.5	9.6 gpm @ 15 psi	1.6	0.5	692	160
12"	37	59	15	12	52	1.25	0.5	55.0	2.35	18	43	71,700 @ 30	2.0	10 gpm @ 15 psi	2.6	0.5	804	210
14"	45	72	15	14	65	1.25	0.5	68.0	2.35	24	42	92,600 @ 36	3.0	10.6 gpm @ 15 psi	6.6	0.5	1287	320



DO NOT SCALE DRAWING TOLERANCES: ±1/8" UNLESS OTHERWISE NOTED				
Let.	Change	By	App	Date

Culligan®
ENGINEERED SYSTEMS
ROSEMONT, ILLINOIS

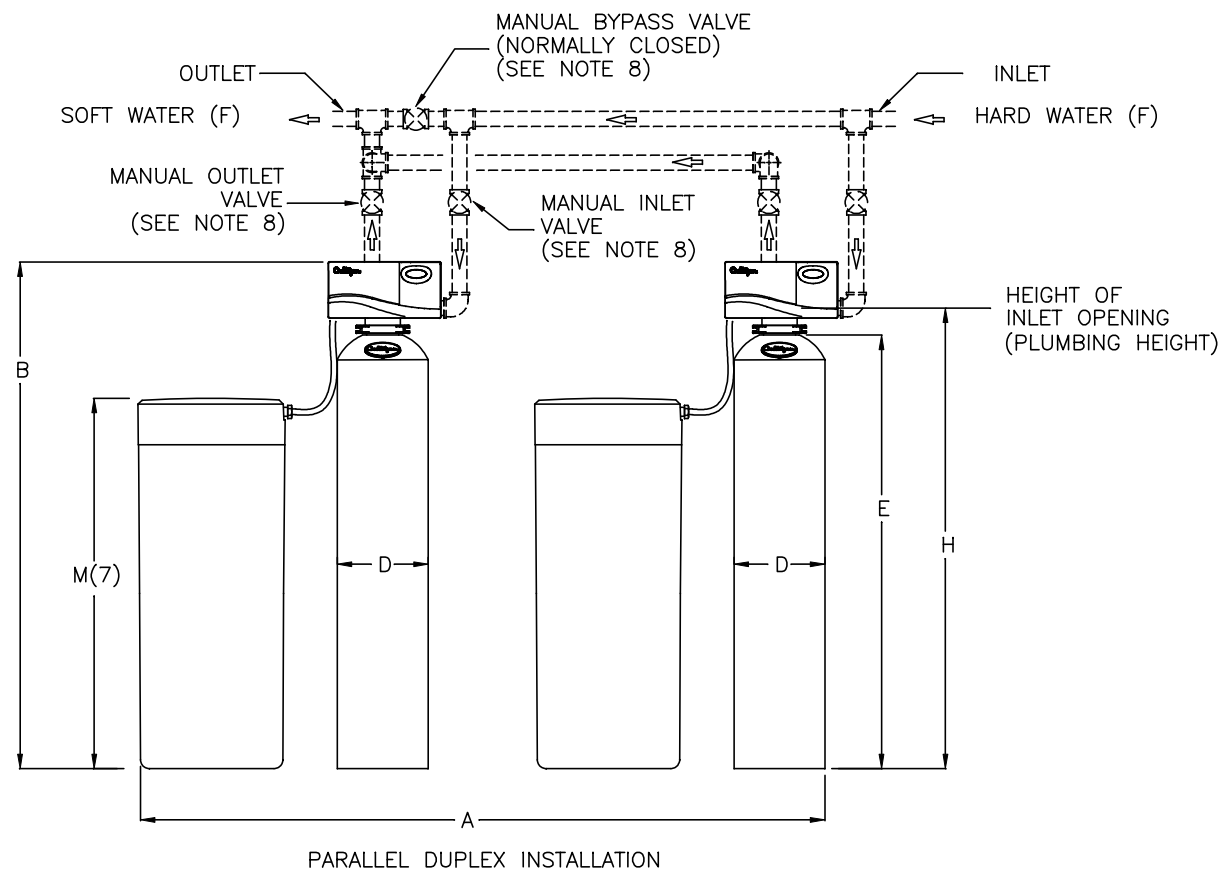
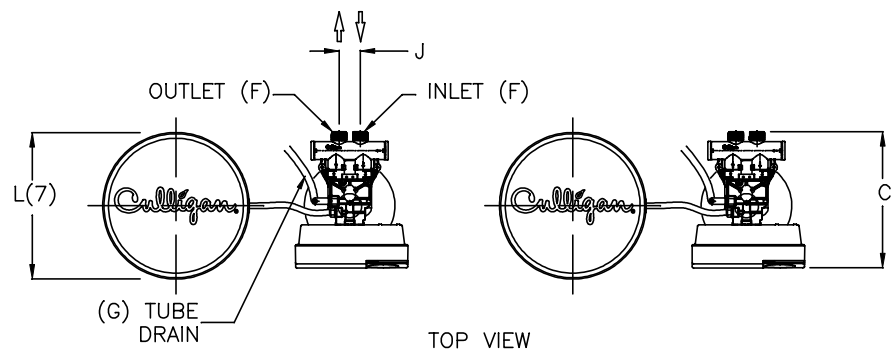
PRINT AND BILL OF MATERIAL ARE NOT TO BE USED WITHOUT THE WRITTEN CONSENT OF CULLIGAN INTERNATIONAL CO.

NAME HOUSEHOLD AUTOMATICS GOLD SERIES SINGLE TECHNICAL DATA SHEET		
DETAILED BY: KMR 1/28/04	APP. BY:	SHEET 1 OF 1
REF. NO.	PART NO. GOLD_SERIES_1	

NOTES:

- (1) ITEMS SHOWN IN BROKEN LINES TO BE FURNISHED BY OTHERS.
- (2) ALL DIMENSIONS ARE ± 1 INCH (25mm) AND SUBJECT TO CHANGE WITHOUT NOTICE.
- (3) THE USE OF DISSIMILAR METALS IN A PIPING SYSTEM IS NOT RECOMMENDED. WHERE DISSIMILAR METALS MUST BE CONNECTED IN A WATER SYSTEM. THE USE OF NONCONDUCTIVE (DIELECTRIC) FITTINGS MAY REDUCE GALVANIC CORROSION.
- (4) A TEN FOOT POWER CORD (LONGER LENGTHS AVAILABLE) AND WALL MOUNT TRANSFORMER ARE PROVIDED. THE CUSTOMER SHOULD PROVIDE A RECEPTACLE, PREFERABLE ONE NOT CONTROLLED BY A SWITCH THAT CAN BE TURNED OFF ACCIDENTALLY. OBSERVE THE LOCAL ELECTRICAL CODES.
- (5) ALLOW 6-12 INCHES BEHIND THE UNIT FOR PLUMBING AND DRAIN LINES AND 4 FEET ABOVE FOR SERVICE ACCESS AND FILLING THE SALT CONTAINER.
- (6) TO PERMIT THE OBSERVATION OF THE DRAIN FLOW DO NOT MAKE A DIRECT CONNECTION TO THE DRAIN. PROVIDE AN AIR GAP OF AT LEAST TWO TIMES THE DIAMETER OF THE DRAIN PIPE OR CONFORM TO LOCAL SANITATION CODES.
- (7) BRINE TANK DIMENSIONS SHOWN ARE FOR THE BRINE TANK MOST COMMONLY SELECTED FOR USE WITH THIS SIZE SYSTEM
- (8) BYPASS VALVE IS INCLUDED WITH SOFTENER. PLUMBING OF 3-VALVE BYPASS IS OPTIONAL.

MODEL	DIMENSIONS (INCHES)												UNIT DATA PER TANK					
	WIDTH A	HEIGHT B	DEPTH C	TANK DIA. D	SIDE-SHELL E	INLET/OUTLET PIPE SIZES F	DRAIN SIZE G	FLOOR TO INLET H	INLET TO OUTLET J	BRINE TANK DIA. L(7)	BRINE TANK HEIGHT M(7)	MAX. CAPACITY KGR @ SALT DOSAGE	RESIN VOLUME ft ³	CONTINUOUS FLOW gpm @ psi drop	DRAIN FLOW gpm	MIN. DRAIN PIPE SIZE IN.	DUPLEX OPER. WT. lbs.	DUPLEX SHIP. WT. lbs.
9"	76	55	15	9	48	1.25	0.5	51.0	2.35	16	43	33,300 @ 12	1.0	9 gpm @ 13 psi	1.6	0.5	986	252
9"	81	55	15	9	48	1.25	0.5	51.0	2.35	18	43	33,300 @ 12	1.0	9 gpm @ 13 psi	1.6	0.5	1230	252
10"	83	61	15	10	54	1.25	0.5	57.0	2.35	18	43	46,800 @ 18	1.5	9.6 gpm @ 15 psi	1.6	0.5	1384	320
12"	87	59	15	12	52	1.25	0.5	55.0	2.35	18	43	71,700 @ 30	2.0	10 gpm @ 15 psi	2.6	0.5	1608	420
14"	103	72	15	14	65	1.25	0.5	68.0	2.35	24	42	92,600 @ 36	3.0	10.6 gpm @ 15 psi	6.6	0.5	2574	640



DO NOT SCALE DRAWING TOLERANCES: ±1/8" UNLESS OTHERWISE NOTED				
Let.	Change	By	App	Date

Culligan®
ENGINEERED SYSTEMS
 ROSEMONT, ILLINOIS

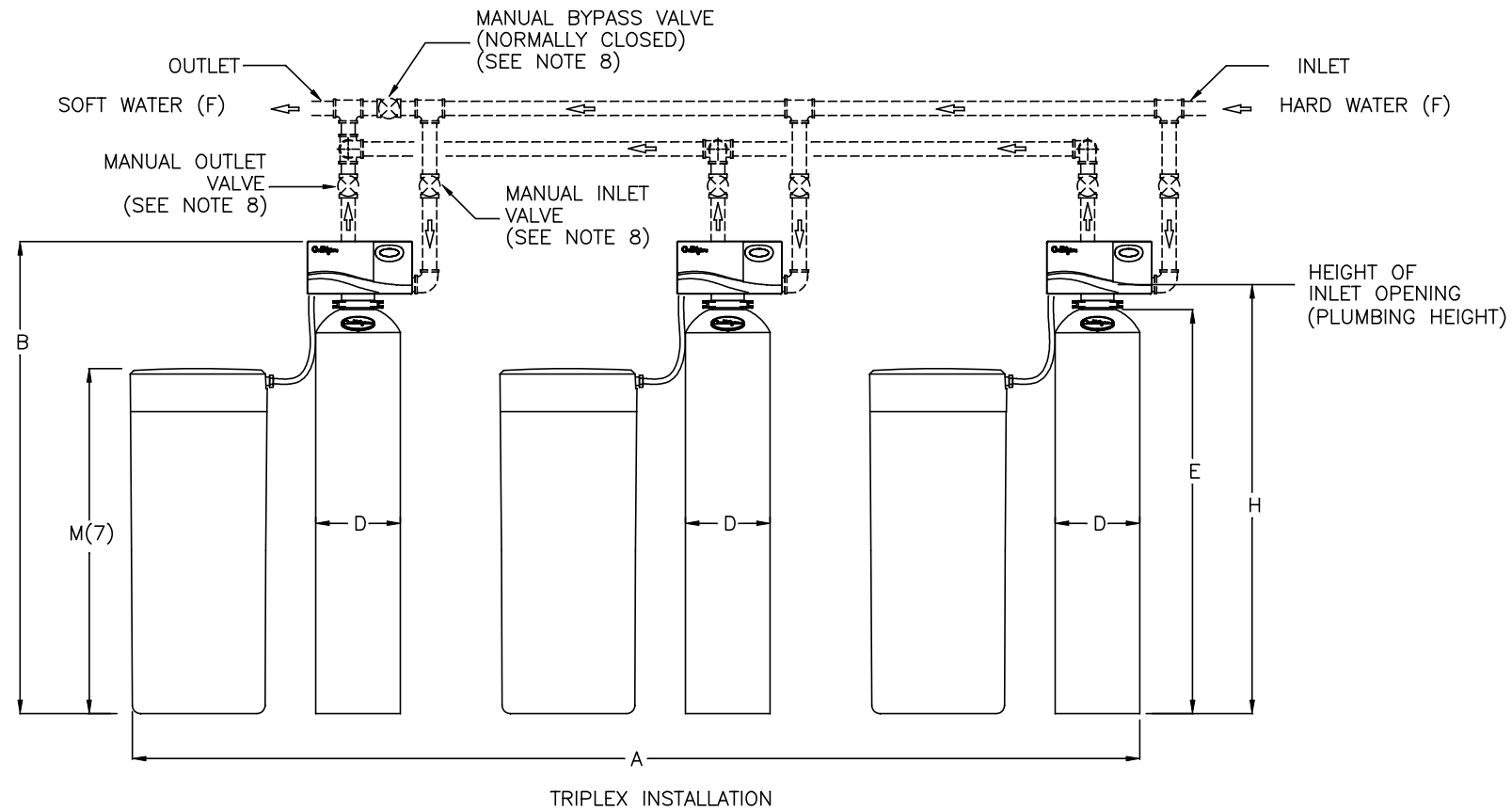
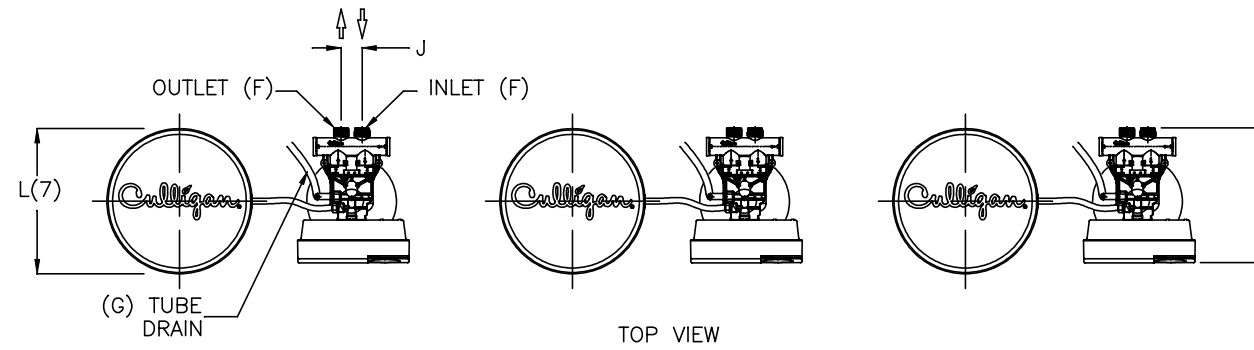
PRINT AND BILL OF MATERIAL ARE NOT TO BE USED WITHOUT THE WRITTEN CONSENT OF CULLIGAN INTERNATIONAL CO.

NAME HOUSEHOLD AUTOMATICS GOLD SERIES DUPLEX TECHNICAL DATA SHEET		
DETAILED BY: KMR 1/28/04	APP. BY:	SHEET 1 OF 1
REF. NO.	PART NO. GOLD_SERIES_2	

NOTES:

- (1) ITEMS SHOWN IN BROKEN LINES TO BE FURNISHED BY OTHERS.
- (2) ALL DIMENSIONS ARE ± 1 INCH (25mm) AND SUBJECT TO CHANGE WITHOUT NOTICE.
- (3) THE USE OF DISSIMILAR METALS IN A PIPING SYSTEM IS NOT RECOMMENDED. WHERE DISSIMILAR METALS MUST BE CONNECTED IN A WATER SYSTEM. THE USE OF NONCONDUCTIVE (DIELECTRIC) FITTINGS MAY REDUCE GALVANIC CORROSION.
- (4) A TEN FOOT POWER CORD (LONGER LENGTHS AVAILABLE) AND WALL MOUNT TRANSFORMER ARE PROVIDED. THE CUSTOMER SHOULD PROVIDE A RECEPTACLE, PREFERABLE ONE NOT CONTROLLED BY A SWITCH THAT CAN BE TURNED OFF ACCIDENTALLY. OBSERVE THE LOCAL ELECTRICAL CODES.
- (5) ALLOW 6-12 INCHES BEHIND THE UNIT FOR PLUMBING AND DRAIN LINES AND 4 FEET ABOVE FOR SERVICE ACCESS AND FILLING THE SALT CONTAINER.
- (6) TO PERMIT THE OBSERVATION OF THE DRAIN FLOW DO NOT MAKE A DIRECT CONNECTION TO THE DRAIN. PROVIDE AN AIR GAP OF AT LEAST TWO TIMES THE DIAMETER OF THE DRAIN PIPE OR CONFORM TO LOCAL SANITATION CODES.
- (7) BRINE TANK DIMENSIONS SHOWN ARE FOR THE BRINE TANK MOST COMMONLY SELECTED FOR USE WITH THIS SIZE SYSTEM
- (8) BYPASS VALVE IS INCLUDED WITH SOFTENER. PLUMBING OF 3-VALVE BYPASS IS OPTIONAL.

MODEL	DIMENSIONS (INCHES)												UNIT DATA PER TANK					
	WIDTH A	HEIGHT B	DEPTH C	TANK DIA. D	SIDE-SHELL E	INLET/OUTLET PIPE SIZES F	DRAIN SIZE G	FLOOR TO INLET H	INLET TO OUTLET J	BRINE TANK DIA. L(7)	BRINE TANK HEIGHT M(7)	MAX. CAPACITY KGR @ SALT DOSAGE	RESIN VOLUME ft ³	CONTINUOUS FLOW gpm @ psi drop	DRAIN FLOW gpm	MIN. DRAIN PIPE SIZE IN.	TRIPLEX OPER. WT. lbs.	TRIPLEX SHIP. WT. lbs.
9"	120	55	15	9	48	1.25	0.5	51.0	2.35	16	43	33,300 @ 12	1.0	9 gpm @ 13 psi	1.6	0.5	1479	378
9"	128	55	15	9	48	1.25	0.5	51.0	2.35	18	43	33,300 @ 12	1.0	9 gpm @ 13 psi	1.6	0.5	1845	378
10"	131	61	15	10	54	1.25	0.5	57.0	2.35	18	43	46,800 @ 18	1.5	9.6 gpm @ 15 psi	1.6	0.5	2076	480
12"	137	59	15	12	52	1.25	0.5	55.0	2.35	18	43	71,700 @ 30	2.0	10 gpm @ 15 psi	2.6	0.5	2412	630
14"	161	72	15	14	65	1.25	0.5	68.0	2.35	24	42	92,600 @ 36	3.0	10.6 gpm @ 15 psi	6.6	0.5	3867	960



DO NOT SCALE DRAWING
TOLERANCES: ±1/8" UNLESS OTHERWISE NOTED

Let.	Change	By	App	Date

Culligan®
ENGINEERED SYSTEMS
ROSEMONT, ILLINOIS

PRINT AND BILL OF MATERIAL ARE NOT TO BE USED WITHOUT THE WRITTEN CONSENT OF CULLIGAN INTERNATIONAL CO.

NAME HOUSEHOLD AUTOMATICS GOLD SERIES TRIPLEX TECHNICAL DATA SHEET		
DETAILED BY: KMR 1/28/04	APP. BY:	SHEET 1 OF 1
REF. NO.	PART NO. GOLD_SERIES_3	